



**Modular Cooking Range Line
700XP Open Base Cupboard 1- 1/2
Module**

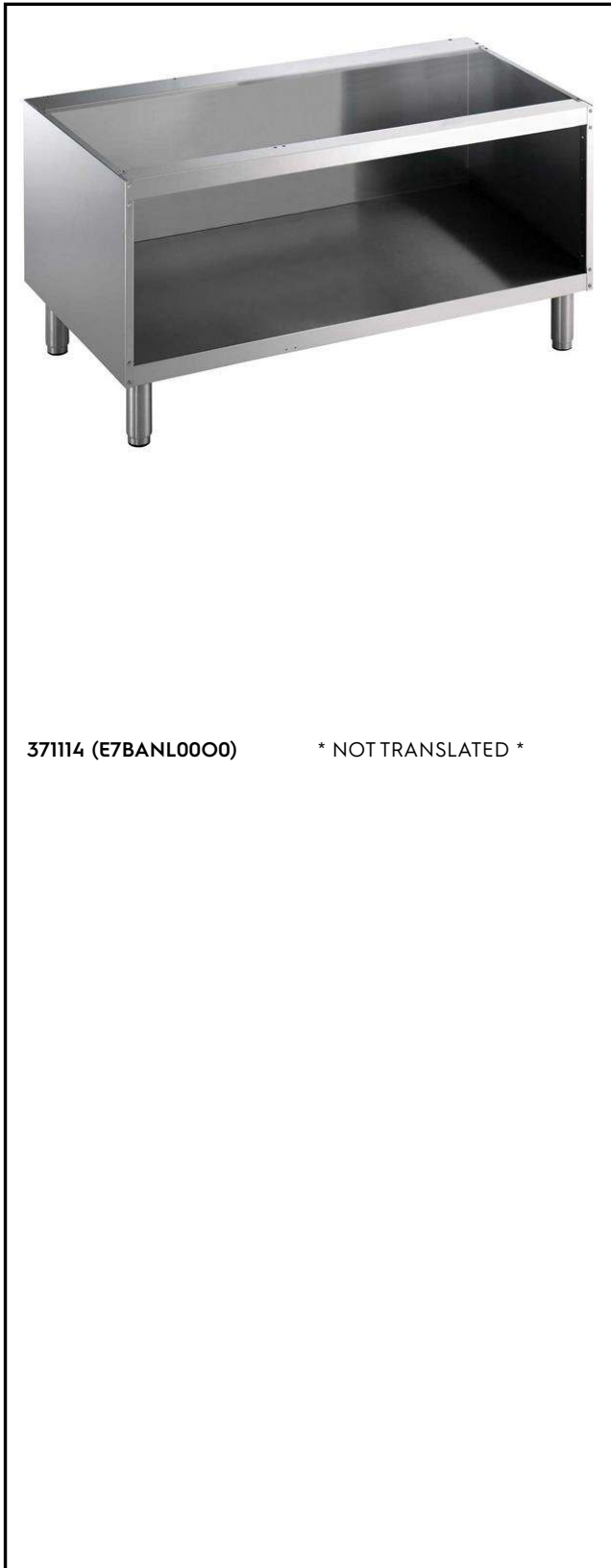
ITEM # _____

MODEL # _____

NAME # _____

SIS # _____

AIA # _____



371114 (E7BANL0000)

* NOT TRANSLATED *

Main Features

- Unit can be easily installed below other 700 line top models.
- Unit delivered with 50 mm height adjustable feet in Stainless steel.
- Open base compartment for storage of pots, pans, sheet pans, etc.
- Doors with handles, drawers, heating kits and runners for GN containers can be ordered separately.

Construction

- Constructed in Stainless steel with Scotch Brite finish to meet the highest hygiene standards.

Optional Accessories

- Kit 4 wheels - 2 swivelling with brake - it is mandatory to install base support and wheels PNC 206135
- Flanged feet kit PNC 206136
- Frontal kicking strip for concrete installation, 1200mm PNC 206151
- Frontal kicking strip for concrete installation, 1600mm PNC 206152
- Frontal kicking strip, 1200mm (not for refr-freezer base) PNC 206178
- Frontal kicking strip, 1600mm (not for refr-freezer base) PNC 206179
- Kit 4 feet for concrete installation (not for 900 line free standing grill) PNC 206210
- Central support for installation of drawers and grid (on 800/1200mm bases) and of doors (on 1200mm bases) PNC 206245
- 2 panels for service duct for single "top on base" installation PNC 206248
- Pair of side kicking strips PNC 206249
- 2 supports runners for open base for 4 GN1/1 PNC 206257
- Electric heating kit for cupboards PNC 206259
- Pair of side kicking strips for concrete installation PNC 206265
- 2 drawers for open base cupboards, 100mm height PNC 206318
- Door for open base cupboard PNC 206350
- Base support for feet or wheels - 1200mm (700/900) PNC 206368
- Base support for feet or wheels - 1600mm (700/900) PNC 206369

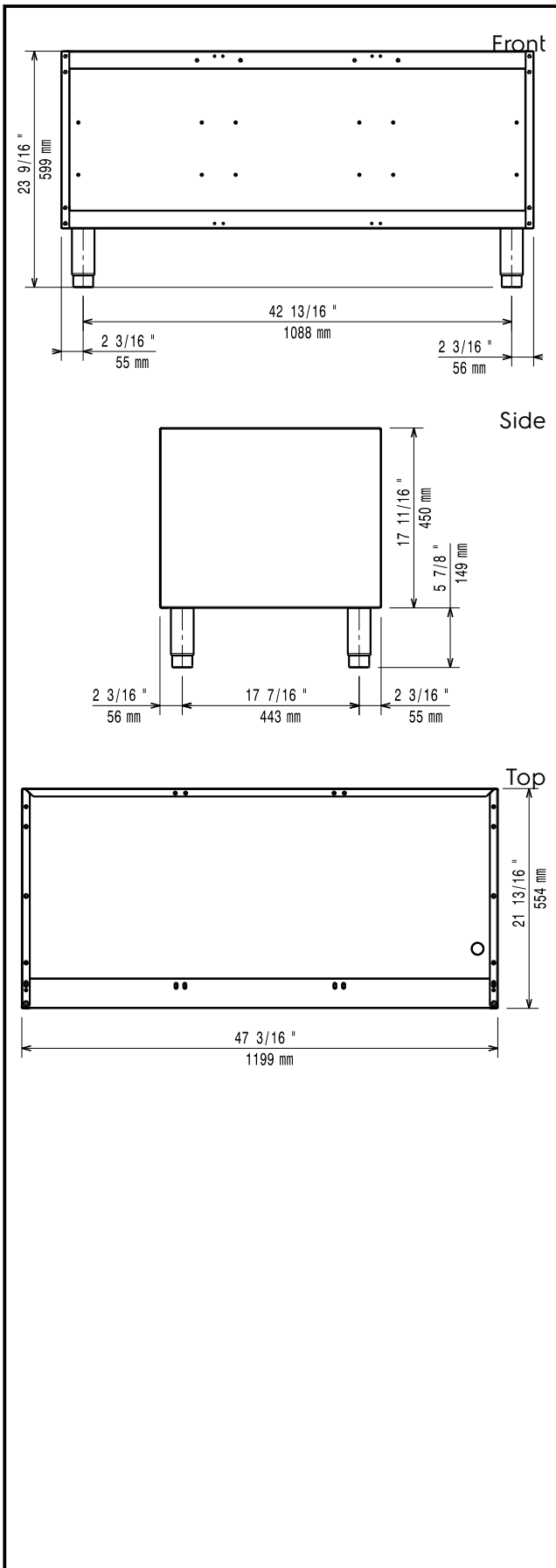
APPROVAL: _____

700XP Open Base Cupboard 1- 1/2 Module



Experience the Excellence
www.electroluxprofessional.com

- Base support for feet or wheels - 2000mm (700/900) PNC 206370
- Rear paneling - 1200mm (700/900) PNC 206376
- 2 side covering panels for free standing appliances PNC 216000



Key Information:

External dimensions, Width:	
371114 (E7BANL0000)	1200 mm
External dimensions, Height:	600 mm
External dimensions, Depth:	550 mm
Net weight:	23 kg