

Modular Cooking Range Line 700XP 2-Hot Plates Electric Boiling Top Range

ITEM # _____

MODEL # _____

NAME # _____

SIS # _____

AIA # _____



- 371014 (E7ECED2R00)** 2-hot plate (2,6 kW each)
electric boiling top
- 371126 (E7ECED2R0N)** 2-hot plate (2,6 kW each)
electric boiling top

Short Form Specification

Item No.

To be installed on open base installations, bridging supports or cantilever systems. Two 2.6 kW cast-iron hot plates hermetically sealed to the one-piece top. Exterior panels in stainless steel with Scotch Brite finish. One piece pressed work top in 1.5 mm thick stainless steel. Right-angled side edges to allow flush-fitting junction between units.

Main Features

- Unit to be mounted on open base cupboards, bridging supports or cantilever systems.
- The two 2.6kW cast-iron plates are hermetically sealed to the one-piece top.
- The special design of the control knob system guarantees against water infiltration.
- IPx4 water protection.

Construction

- External panel in Stainless Steel with Scotch Brite finish.
- One piece pressed 1.5 mm work top in Stainless steel.
- Model has right-angled side edges to allow flush fitting joints between units, eliminating gaps and possible dirt traps.

Optional Accessories

- Junction sealing kit PNC 206086
- Support for bridge type installation, 800mm PNC 206137
- Support for bridge type installation, 1000mm PNC 206138
- Support for bridge type installation, 1200mm PNC 206139
- Support for bridge type installation, 1400mm PNC 206140
- Support for bridge type installation, 1600mm PNC 206141
- Support for bridge type installation, 400mm PNC 206154
- Water column with swivel arm (water column extension not included) PNC 206289
- Water column extension for 700 line PNC 206291
- Chimney upstand, 400mm PNC 206303
- Right and left side handrails PNC 206307
- Back handrail 800mm, Marine PNC 206308
- Chimney grid net, 400mm (700XP/900) PNC 206400
- Frontal handrail, 400mm PNC 216046
- Frontal handrail, 800mm PNC 216047
- Frontal handrail, 1200mm PNC 216049
- Frontal handrail, 1600mm PNC 216050
- Large handrail - portioning shelf, 400mm PNC 216185
- Large handrail - portioning shelf, 800mm (only for 371126) PNC 216186

APPROVAL: _____



Electrolux
PROFESSIONAL

Modular Cooking Range Line 700XP 2-Hot Plates Electric Boiling Top Range

- 2 side covering panels for top appliances

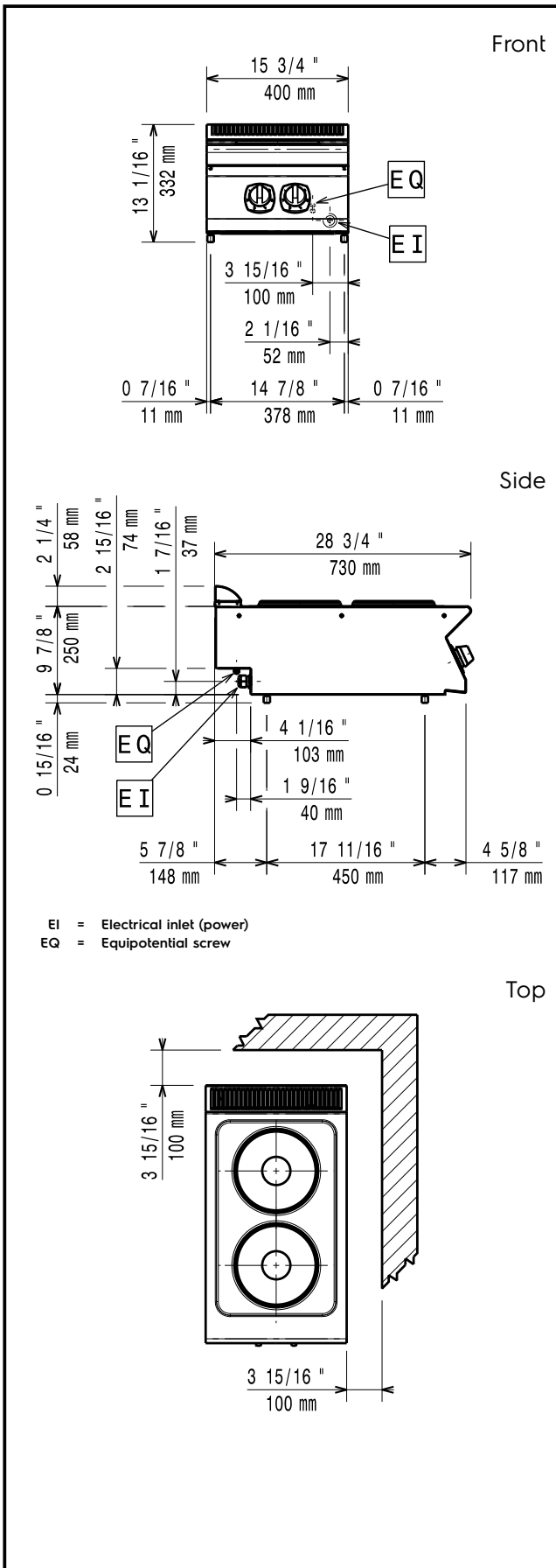
PNC 216277
□



Modular Cooking Range Line
700XP 2-Hot Plates Electric Boiling Top Range

The company reserves the right to make modifications to the products without prior notice. All information correct at time of printing.

2020.03.11



Electric

Supply voltage:

371014 (E7ECED2R00)	380-400 V/3 ph/50/60 Hz
371126 (E7ECED2R0N)	230 V/3 ph/50/60 Hz

Total Watts:

5.2 kW

Predisposed for:

371014 (E7ECED2R00)	380-400V 3- 50/60Hz
	4,5-5,2kW

Key Information:

Front Plates Power:	2.6 - 0 kW
Back Plates Power:	2.6 - kW
Front Plates dimensions:	Ø 230
Back Plates dimensions:	Ø 230
External dimensions, Width:	400 mm
External dimensions, Height:	250 mm
External dimensions, Depth:	730 mm
Net weight:	20 kg

Shipping weight:

371014 (E7ECED2R00)	25 kg
371126 (E7ECED2R0N)	27 kg

Shipping height:

371014 (E7ECED2R00)	530 mm
371126 (E7ECED2R0N)	540 mm

Shipping width:

460 mm

Shipping depth:

820 mm

Shipping volume:

0.2 m³

If appliance is set up or next to or against temperature sensitive furniture or similar, a safety gap of approximately 150 mm should be maintained or some form of heat insulation fitted.

Certification group:

371014 (E7ECED2R00)	EH72T
371126 (E7ECED2R0N)	N7CE1