



# Electrolux

## Libero Line Series Mini Combi Oven - Electric Countertop

ITEM # \_\_\_\_\_

MODEL # \_\_\_\_\_

NAME # \_\_\_\_\_

SIS # \_\_\_\_\_

AIA # \_\_\_\_\_



Electrolux



Libero Line Series  
Mini Combi Oven - Electric Countertop  
260694 (OTS100D) Mini Combi Oven - Electric

### Short Form Specification

#### Item No. \_\_\_\_\_

Libero Mini Combi Oven, (5) half size (10" x 12") capacity, 4 cooking modes, 5 rack positions, includes set of stainless steel pans & grids, Teflon aluminum baking trays, 304 stainless steel construction, NEMA 5-20P plug and a Recipe Book.

### Main Features

- Steam, Bake and cook with a combination of both functions in a countertop platform.
- Stainless steel oven cavity with rounded corners.
- Self contained with built-in fresh water/condense container and requires no water or drain connections.
- Delicate foods, such as fish, cook in the gentle heat of low temperature steam, retaining the full flavor and texture.
- Reheat chilled food in low temperature steam, without it drying out and losing its "freshness".
- Cooks vegetables in maximum steam, without loss of vitamins or flavor.
- Fan assisted air circulation enables convection cooking at a lower temperature with even results over the three oven shelves.
- Combining steam and convection heating produces a moist heat that reduces shrinkage whilst still browning meat.
- Supplied with the following:
  - 1/2GN accessories: 3each aluminum baking plates, 2 each stainless steel perforated containers, 2 each stainless steel plain containers and 3 each stainless steel wire grids.

### Included Accessories

- 1 of Stainless steel 1/2 GN container - PNC 329040 2" (50 mm) height
- 1 of Perforated container PNC 921180
- 1 of Stainless steel 1/2 GN container - PNC 921181 1" (25mm) height
- 1 of Wire grid PNC 921182
- 1 of Baking plate PNC 921183

### Optional Accessories

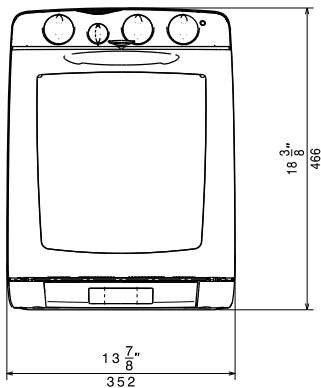
- Stainless steel 1/2 GN container - 2 " (50 mm) height  PNC 329040
- External water tank for Mini Combi  PNC 921016
- Perforated container  PNC 921180
- Stainless steel 1/2 GN container - 1 " (25mm) height  PNC 921181
- Wire grid  PNC 921182
- Baking plate  PNC 921183
- External water tank kit, for Libero Mini Combi  PNC 921184



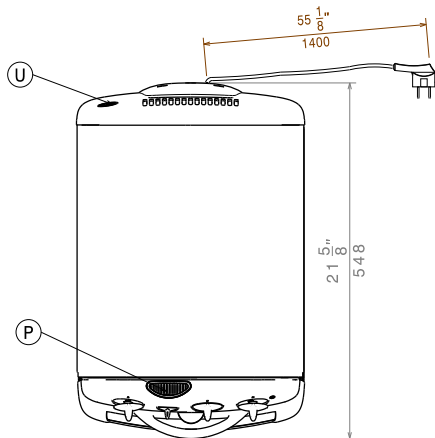
APPROVAL: \_\_\_\_\_

Libero Line Series  
Mini Combi Oven - Electric Countertop

Front



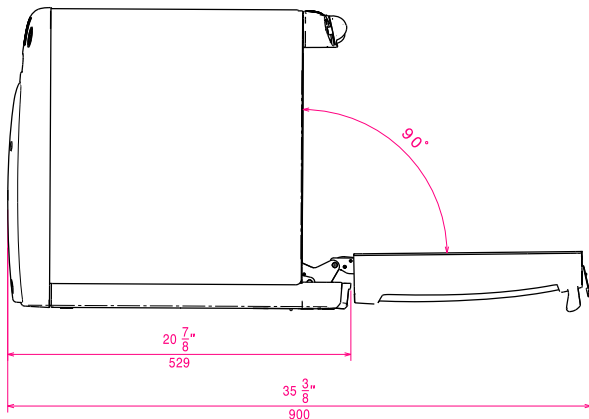
Top



EI = Electrical connection

EO = Electrical Outlet

Side



### Electric

**Supply Voltage:**

260694 (OTS100D) 110V/1ph/60Hz

**Amps:** 16 A

**Total Watts:** 1.76 kW

**Plug Type:** NEMA 5-20P

**Minimum Circuit Ampacity (MCA):** 16A

**Motor electrical power:** 0,043 kW

### Key Information:

**External dimensions, Width:** 13 7/8" (352 mm)

**External dimensions, Depth:** 21 9/16" (548 mm)

**External dimensions, Height:** 18 3/8" (466 mm)

**Net weight:** 49 lbs (22 kg)

**Shipping width:** 15 3/4" (400 mm)

**Shipping depth:** 23 5/8" (600 mm)

**Shipping height:** 21 1/4" (540 mm)

**Shipping weight:** 55 lbs (25 kg)

**Shipping volume:** 4.58 ft<sup>3</sup> (0.13 m<sup>3</sup>)