

Crosswise Convection Electric Convection Oven, 6 GN1/1 - 60Hz

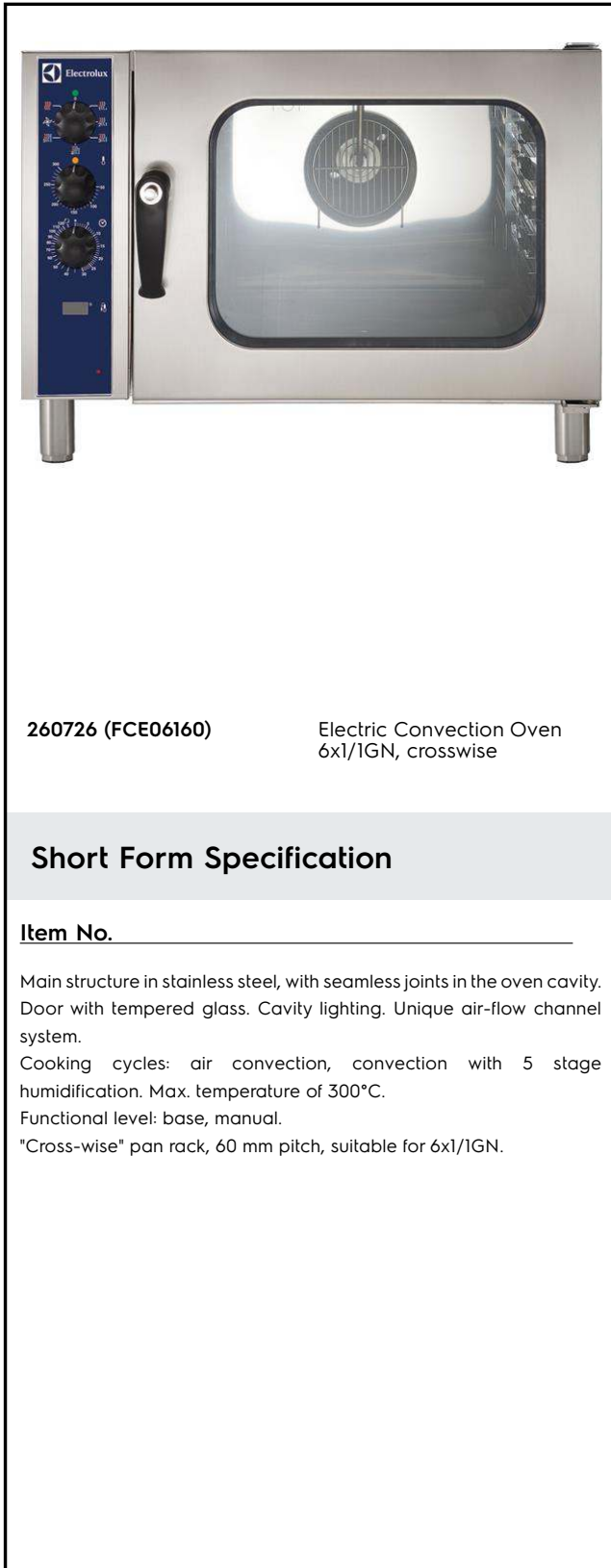
ITEM # _____

MODEL # _____

NAME # _____

SIS # _____

AIA # _____


260726 (FCE06160)

 Electric Convection Oven
 6x1/1GN, crosswise

Short Form Specification

Item No. _____

Main structure in stainless steel, with seamless joints in the oven cavity. Door with tempered glass. Cavity lighting. Unique air-flow channel system.

Cooking cycles: air convection, convection with 5 stage humidification. Max. temperature of 300°C.

Functional level: base, manual.

"Cross-wise" pan rack, 60 mm pitch, suitable for 6x1/1GN.

Main Features

- Racks can be easily removed without the need for special tools.
- Unique air-flow system guarantees perfect distribution of heat throughout the oven cavity.
- Maximum temperature of 300°C.
- Food temperature probe available as accessory.
- Rapid cooling of oven cavity.
- Halogen lighting and "crosswise" pan supports allow clear and unobstructed view of the products being cooked.
- 5 Stage humidification control, to ensure perfect pastries and succulent roasts.
- Meets the requirements of CE, VDE and DVGW for safety.

Construction

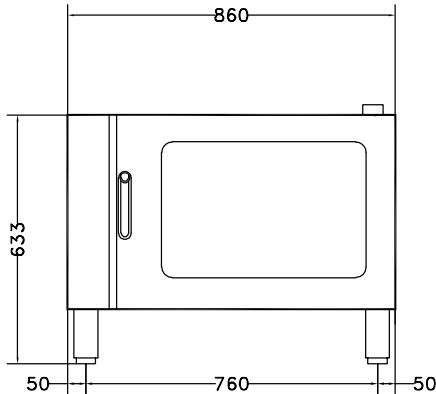
- Access to all components from the front.
- Stainless steel oven cavity with rounded corners.
- External access door for electrical connections.
- All connections made on the left side below the oven.
- Integrated drain outlet.
- IPx4 water protection.

APPROVAL: _____

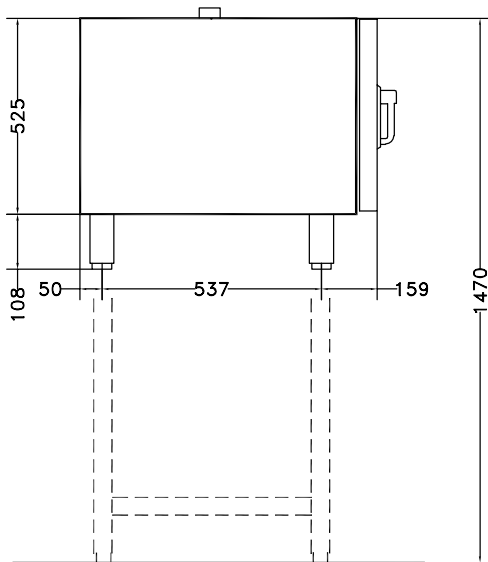
Optional Accessories

- Kit for stacking 6x1/1GN convection oven and 15kg blast chillers and blast chiller&freezers PNC 881528
- Pair of 1/1GN AISI 304 stainless steel grids PNC 921101
- Support for 1/2GN pan (2pcs) PNC 921106
- Water softener with salt for ovens with automatic regeneration of resin PNC 921305
- Resin sanitizer for water softener (921305) PNC 921306
- Probe for ovens 6 and 10x1/1GN PNC 921702
- Guide kit for 1/1GN drain pan PNC 921713
- Pair of grids for whole chicken (8 per grid - 1,2kg each), GN 1/1 PNC 922036
- Base for oven 6x1/1GN PNC 922101
- Shelf guides for 6x1/1GN, ovens base PNC 922105
- Feet for ovens 6x1/1GN, 10x1/1 and 2/1GN PNC 922127
- Retractable hose reel spray unit PNC 922170
- External side spray unit (needs to be mounted outside and includes support to be mounted on the oven) PNC 922171
- Fat filter for 6x1/1GN PNC 922177
- Pair of frying baskets PNC 922239
- Grid for whole chicken (8 per grid - 1,2kg each), GN 1/1 PNC 922266
- Kit universal skewer rack and 6 short skewers for Lengthwise and Crosswise ovens PNC 922325
- Universal skewer rack PNC 922326
- Smoker for lengthwise and crosswise oven (4 kinds of smoker wood chips are available on request) PNC 922338

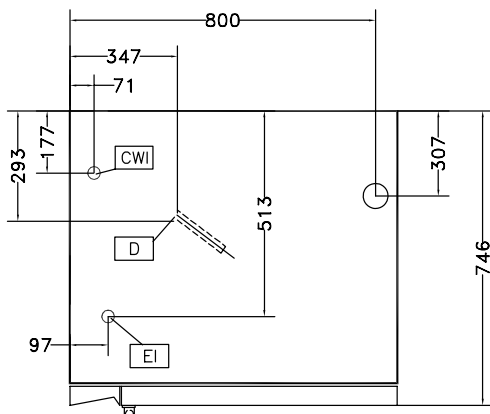
Front



Side



Top



CWI1 = Cold Water inlet 1
 CWI2 = Cold Water Inlet 2
 D = Drain
 EI = Electrical inlet (power)

Electric

Supply voltage:

260726 (FCE06160) 380-400V/3N ph/60 Hz

Electrical power max.:

7.7 kW

Capacity:

Shelf capacity: 6

Key Information:

External dimensions, Width: 860 mm

External dimensions, Height: 633 mm

External dimensions, Depth: 746 mm

Net weight: 79.5 kg

Functional level: Basic

Type of grids: 1/1 Gastronorm

Runners pitch: 60 mm

Cooking cycles - air-convection: 300 °C

Heating-up time (hot air cycle): 215°C / 300s.