



Electrolux

Food Processor K55 Vertical Cutter Mixer 1.5gal (5.8qt) - Variable Speed

ITEM # _____
 MODEL # _____
 NAME # _____
 SIS # _____
 AIA # _____



Food Processor

K55 Vertical Cutter Mixer 1.5gal (5.8qt) - Variable Speed

603807 (K55VVNU)

K55VV CUTTER MIXER
5.8QT-VAR.SPEED

Short Form Specification

Item No.

K55VVNU-Vertical Cutter/Mixer, bench-style, variable speed (300-3700 rpm), 5.8 quart capacity bowl, removable bowl design, stainless steel bowl with clear lexan lid, microtooth blade rotor, stainless steel housing, 300-3700 rpm, 1-1/3HP, 120v/60/1, 6.0 amps NEMA 5-15P

Main Features

- 3 in 1 machine: cutter, emulsifier and vegetable slicer to slice, grate, liquidise, mix and mince in a matter of seconds.
- Delivered with:
 - Stainless steel lever operated feed hopper .
 - 5.8qt stainless steel cutter bowl, transparent lid, scraper and microtoothed blade rotor.
- Capacity:
 - vegetable slicer productivity 550 kg/h, suitable for 100-400 meals for table service, up to 800 meals for catering service.
 - cutter mixer working capacity from 100 g to 2,5 kg, for 50-100 meals per service.
- Magnetic safety system and motor brake. Prevents machine from running when vegetable preparation lever and/or hopper are lifted or when cutter lid is not properly closed.
- Automatic speed limitation according to the selected function (slicer or cutter).
- Red OFF, green ON buttons.
- Emulsifier function (scraper) included as standard.
- All parts in contact with food are removable without the use of tools, completely dismountable and dishwasher safe.
- Pulse function to coarse chopping.
- Base fixed cover for a better handling.

Construction

- All blades (available on request) are made in stainless steel and dishwasher safe.
- Power: TRK55 - 1.3 HP.
- Vegetable cutting at 4 speeds up to 800 rpm. Food processing at 10 variable speeds: 300-3700 rpm.
- Stainless steel bowl has a high chimney to ensure high productivity also when processing liquids (75% of the nominal capacity).
- IPX5 (IP55) flat panel touch-control, waterproof panel.
- Compact and portable design.
- IP24 throughout entire machine.
- Asynchronous industrial motor with no brushes for high reliability and quiet functioning, stainless steel motor shaft.
- Feeding arm and hopper are made entirely in stainless steel. Aluminum motor housing.

Included Accessories

- 1 of Microtooth Blade Rotor for 5.8 quart cutter/mixer PNC 653582
- 1 of Bowl, 5.8 quart, for cutter/mixer, PNC 653590 stainless steel
- 1 of Lid & Bowl Scraper, 5.8 quart, for PNC 653591 cutter/mixer

Optional Accessories



APPROVAL:

Electrolux Professional, Inc.

www.electroluxusa.com/professional

10200 David Taylor Drive, Charlotte, NC 28262 • Telephone Number: 866-449-4200 • Fax Number: 704-547-7401



Electrolux

K55 Vertical Cutter Mixer 1.5gal (5.8qt) - Variable Speed
Food Processor



Electrolux

**Food Processor
K55 Vertical Cutter Mixer 1.5gal
(5.8qt) - Variable Speed**

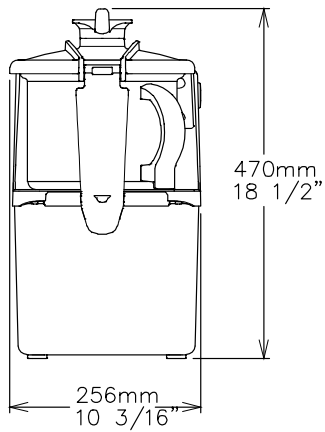
- Microtooth Blade Rotor for 5.8 quart cutter/mixer for emulsions PNC 650040
- Smooth Blade Rotor for 5.8 quart cutter/mixer PNC 653581
- Microtooth Blade Rotor for 5.8 quart cutter/mixer PNC 653582
- Bowl, 5.8 quart, for cutter/mixer, stainless steel PNC 653590
- Lid & Bowl Scraper, 5.8 quart, for cutter/mixer PNC 653591
- Kit for Vegetable Slicer conversion for variable speed cutter/mixer PNC 653594
- Smooth Blade Rotor for 5.8 quart cutter/mixer for emulsions PNC 653665



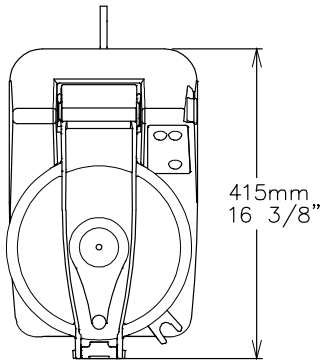
Electrolux

**Food Processor
K55 Vertical Cutter Mixer 1.5gal
(5.8qt) - Variable Speed**

Front



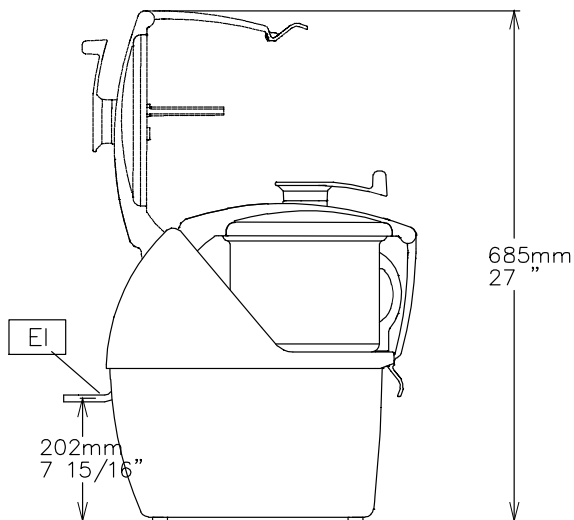
Top



EI = Electrical connection

EQ = Equipotential screw

Side



Electric

Supply voltage:

603807 (K55VVNU) 100...120 V/1N ph/50/60 Hz

Electrical power:

1.3 kW

Total Watts:

1.3 kW

Key Information:

External dimensions, Width: 10 1/16" (256 mm)

External dimensions, Depth: 16 5/16" (415 mm)

External dimensions, Height: 18 1/2" (470 mm)

Shipping width: 11 13/16" (300 mm)

Shipping depth: 21 5/8" (550 mm)

Shipping height: 23 5/8" (600 mm)

Shipping weight: 57 lbs (26 kg)

**Food Processor
K55 Vertical Cutter Mixer 1.5gal (5.8qt) - Variable Speed**

The company reserves the right to make modifications to the products without prior notice. All information correct at time of printing.

2015.06.17