



Electrolux

Vegetable Slicer TRS Vegetable Slicers (TRS22, TRS23, TRS24, TRSU)

ITEM # _____

MODEL # _____

NAME# _____

SS # _____

AIA# _____



Vegetable Slicer

TRS Vegetable Slicers (TRS22, TRS23, TRS24, TRSU)

603800 (TRS22NU)	TRS22 Vegetable Cutter, single speed, 370 W
603801 (TRS23NU)	TRS23 Vegetable Cutter, single speed, 500 W
603802 (TRS24NU)	TRS24 Vegetable Cutter, single speed, 750 W
603803 (TRSNU)	TRSU Vegetable Cutter, 2 speeds, 750 W

Short Form Specification

Item No.

TRS22, TRS23, TRS24-Vegetable Cutter, heavy duty, 1 speed, designed for high volume dicing requirements, stainless steel base, rear handle, ejector plate, 110-120v/50/60/1 (no discs included)

* TRSU is 2 speed 208/240V 3ph 60 Hz version.

Main Features

- Suitable for 100-400 meals for table service and up to 800 meals for catering service.
- Vegetable slicer unit has slicing, grating, shredding as well as dicing and french fries capabilities.
- Delivered with:
 - All stainless steel vegetable prep attachment with a lever-integrated long vegetable hopper 2.4" (60mm) diameter and a large round hopper.
- Ergonomically designed for right and left-handed users, frontal working and to reduce working space around the machine.
- All parts in contact with food are removable without the use of tools, stainless steel hopper, stainless steel lever and cutting chamber are dishwasher safe.
- Hopper easily removed for cleaning.
- Base inclined at 20° to provide easy loading and unloading.
- High discharge zone permits the use of deep containers up to 8" high (20cm).
- Complete and wide selection of blades and grids available diameter 8" (205 mm).
- Pulse function for precise cutting.
- Magnetic safety system and motor brake. Prevents machine from running when pusher plate swings away or is open.
- Automatic restart of the machine with the 3/4 moon shaped pusher in position.
- Continuous feed model.
- Large round (long vegetable) and large 3/4 moon feed hoppers.
- Red OFF; green ON buttons. (only for 603803)

Construction

- IP55 flat and waterproof control panel, IP24 throughout the entire machine.
- 1 speed - 340 rpm - for precise cutting, slicing and dicing.
- Compact and portable design.

Included Accessories

- 1 of EJTRS-TRS & TRK Ejector Plate (fits PNC653772 with following PNC: 603800, 603801, 603802, 603803, 603811, 603812, 603813)

Optional Accessories

- Stainless steel pressing/slicing disc with S- blades 5 mm (can be used for slicing or combined with grids) PNC650048



APPROVAL:

Electrolux Professional, Inc.

www.electroluxusa.com/professional

10200 David Taylor Drive, Charlotte, NC 28262 • Telephone Number: 866-449-4200 • Fax Number: 704-547-7401



Electrolux

TRS Vegetable Slicers (TRS22, TRS23, TRS24, TRSU) Vegetable Slicer



Electrolux

Vegetable Slicer TRS Vegetable Slicers (TRS22, TRS23, TRS24, TRSU)

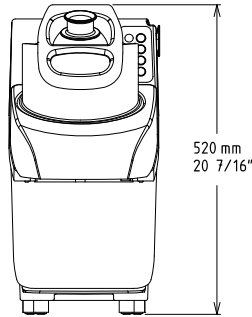
- Stainless steel pressing/slicing disc with S-blades 6 mm (can be used for slicing or combined with grids) PNC 650049
- Stainless steel pressing/slicing disc with S-blades 8 mm (can be used for slicing or combined with grids) PNC 650050
- Stainless steel pressing/slicing disc with S-blades 10 mm (can be used for slicing or combined with grids) PNC 650051
- Stainless steel pressing/slicing disc with S-blades 10 mm (can be used for slicing or combined with grids) PNC 650052
- Stainless steel pressing/slicing disc with S-blades 12 mm (can be used for slicing or combined with grids) PNC 650053
- Stainless steel pressing/slicing disc with S-blades 13 mm (can be used for slicing or combined with grids) PNC 650054
- Stainless steel pressing/slicing disc with corrugated S-blades 8 mm (can be used for slicing or combined with grids) PNC 650055
- Stainless steel pressing/slicing disc with corrugated S-blades 10 mm (can be used for slicing or combined with grids) PNC 650056
- Stainless steel work table assembly. PNC 653283
- Dicing grid 1/5" PNC 653566
- Dicing grid 5/16" PNC 653567
- Dicing grid 3/8" PNC 653568
- Dicing grid 1/2" PNC 653569
- Dicing grid 3/4" PNC 653570
- Grid for french fries/vegetable sticks 1/4" PNC 653571
- Grid for french fries/vegetable sticks 5/16" PNC 653572
- Grid for french fries/vegetable sticks 3/8" PNC 653573
- C06S-Slicing Blade, S-blade, stainless steel, 01/32" (0.6mm) PNC 653728
- C1S-Slicing Blade, S-blade, stainless steel, 1/32" (1mm) PNC 653729
- C2S-Slicing Blade, S-blade, stainless steel, 1/16" (2mm) PNC 653730
- C3S-Slicing Blade, S-blade, stainless steel, 1/8" (3mm) PNC 653731
- C4S-Slicing Blade, S-blade, stainless steel, 5/32" (4mm) PNC 653732
- C5S-Slicing Blade, S-blade, stainless steel, 3/16" (5mm) PNC 653733
- C6S-Slicing Blade, S-blade, stainless steel, 1/4" (6mm) PNC 653735
- C8S-Slicing Blade, S-blade, stainless steel, 5/16" (8mm) PNC 653737
- AS2X-Julienne Blade, stainless steel, 1/16" (2x2mm) PNC 653743
- AS3X-Julienne Blade, 1/8" (3x3mm) PNC 653744
- AS4X-Julienne Blade, 5/32" (4x4mm) PNC 653745
- AS6X-Julienne Blade, 15/64" (6x6mm) PNC 653746
- AS8X-Julienne Blade, 5/16" (8x8mm) PNC 653747
- AS10X-Julienne Blade, 25/64" (10x10mm) PNC 653748
- C2WS-Slicing Blade, S-blade, stainless steel, 1/16" (2mm), wavy cut PNC 653749
- C3WS-Slicing Blade, S-blade, stainless steel, 1/8" (3mm), wavy cut PNC 653750
- C6WS-Slicing Blade, S-blade, stainless steel, 1/4" (6mm), wavy cut PNC 653751
- EJTRS- TRS & TRK Ejector Plate (fits with following PNC: 603800, 603801, 603802, 603803, 603811, 603812, 603813) PNC 653772
- J2X-Grating Blade, stainless steel, 1/16", fine (2mm) PNC 653773
- J3X-Grating Blade, stainless steel, 1/8", fine (3mm) PNC 653774
- J4X-Grating Blade, stainless steel, 5/32" (4mm) PNC 653775
- J7X-Grating Blade, stainless steel, 9/32" (7mm) PNC 653776
- J9X-Grating Blade, stainless steel, 23/64" (9mm) PNC 653777
- KX-Grating Blade, designed for nuts, chocolate & bread crumbs, stainless steel PNC 653778
- PX-Grating Blade, especially fine grating for Parmesan cheese, stainless steel PNC 653779
- SCEQX - Bistro 3-Disc Set (C2S, C5S, J2X) PNC 653785
- SCREQX - Gastronomic 6-Disc Set (C2S, C5S, J2X, AS4X, C10PS, MT10T) PNC 653786



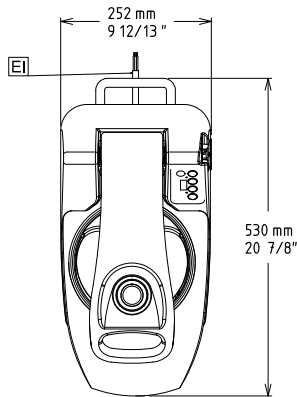
Electrolux

Vegetable Slicer TRS Vegetable Slicers (TRS22, TRS23, TRS24, TRSU)

Front

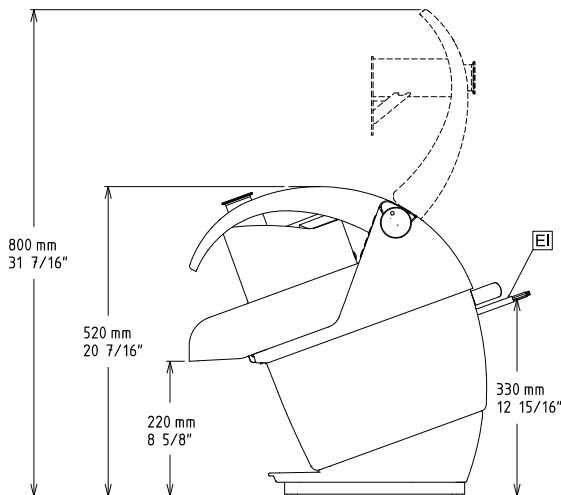


Top



EI = Electrical connection

Side



Electric

Supply voltage:

603800 (TRS22NU)	100...120 V/1N ph/50/60 Hz
603801 (TRS23NU)	100...120 V/1N ph/50/60 Hz
603802 (TRS24NU)	100...120 V/1N ph/50/60 Hz
603803 (TRSNU)	208...240 V/3 ph/60 Hz

Connected load:

603800 (TRS22NU)	0.37 kW
603801 (TRS23NU)	0.5 kW
603802 (TRS24NU)	0.75 kW
603803 (TRSNU)	0.75 kW

Total Watts:

603800 (TRS22NU)	0.37 kW
603801 (TRS23NU)	0.5 kW
603802 (TRS24NU)	0.75 kW
603803 (TRSNU)	0.75 kW

Key Information:

External dimensions, Width:	9 15/16" (252 mm)
External dimensions, Depth:	19 11/16" (500 mm)
External dimensions, Height:	19 3/4" (502 mm)
Shipping width:	12 13/16" (325 mm)
Shipping depth:	25 " (635 mm)
Shipping height:	23 5/8" (600 mm)
Shipping weight:	57 lbs (26 kg)

Vegetable Slicer
TRS Vegetable Slicers (TRS22, TRS23, TRS24, TRSU)

The company reserves the right to make modifications to the products without prior notice. All information correct at time of printing.