



DITO

**VP-1 – 20 Gal. Vegetable Dryer
Greens Machine Series**

ITEM # _____

MODEL # _____

PROJECT NAME # _____

SIS # _____

AIA # _____

Electrolux
DITO



**VP-1 – 20 Gal. Vegetable Dryer
Greens Machine Series**

601559 (VP-1) VP-1 20 Gal. Stainless Steel Dryer
115 V/1p/60Hz

602023 (VP-1 220V) VP-1 20 Gal. Stainless Steel Dryer
220 V/1p/60Hz

Short Form

Item No. _____

Unit to be Electrolux Dito VP-1 – 20 gal. Vegetable Dryer. Electrical characteristics to be 115 V SINGLE-phase operation with single speed at 406 rpm. Heavy duty stainless steel body with an ergonomic design for easy use and cleanability.

VP-1 220 V Special Order Item

Main features

- Easy to reach control knob with adjustable ON/OFF 5 minute timer.
- Easy lock casters.
- Easy cleaning.
- Easy to load polyethylene inner basket with handle grips.
- Sturdy polyethylene base totally sealed.
- Balanced stainless steel driver, easy to remove for cleaning.
- Stainless steel tub & lid dimensions:
 - Height: 32.5"
 - Diameter: 27"
- Shipping weight: 80 lbs.
- Space required: 26.5" wide.
- Built in water drain reservoir.
- Inner liner capacity: 20 gal./18 lbs.
 - Height: 17"
 - Diameter: 15.68"
- ETL electrical and sanitation listed.
- NEMA # : 5-15P with 8' cord.
- 2 year parts warranty, 1 year labor.

Optional Accessories

- Extra inner liner (PNC 653626)
- Stainless steel lid (PNC 653628)



Approval: _____

Electrolux Professional, Inc.

www.electroluxusa.com/professional

3225 SW 42nd Street, Fort Lauderdale, Florida, 33312 • Telephone Number: 866-449-4200 • Fax Number: 954-327-6789

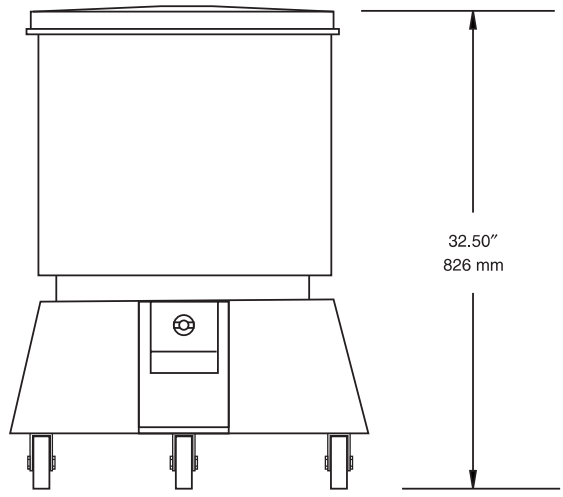
**VP-1 – 20 Gal. Vegetable Dryer
Greens Machine Series**

Electric

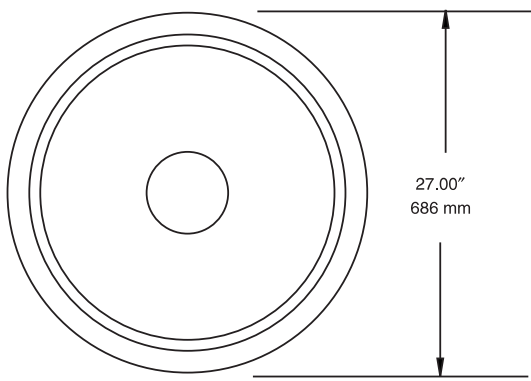
Supply voltage:

601559 (VP1)	115 V/1p/60Hz - 2.7A
602023 (VP-1 220V)	220 V/1p/60Hz

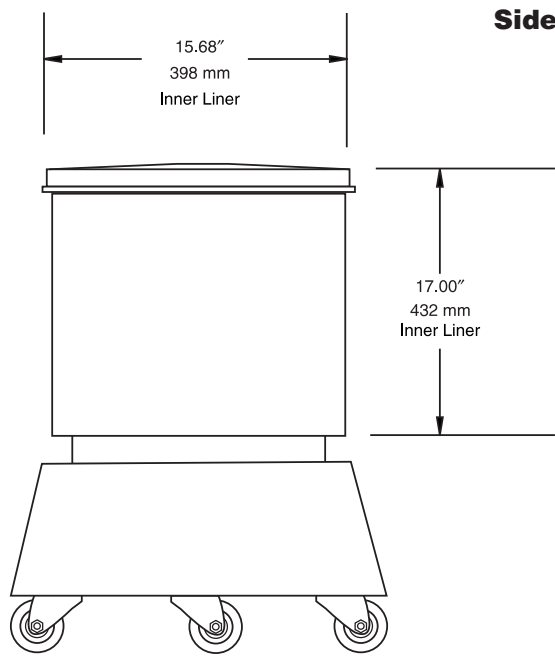
Front View



Top View



Side View



**VP-1 – 20 Gal. Vegetable Dryer
Greens Machine Series**

The company reserves the right to make modifications to the products without prior notice. All information correct at time of printing.
7-3-09