



# Electrolux

## Vegetable Slicer TRK45 Cutter Slicer - Variable Speed, 4.7qt s/s bowl

ITEM # \_\_\_\_\_

MODEL # \_\_\_\_\_

NAME # \_\_\_\_\_

SIS # \_\_\_\_\_

AIA # \_\_\_\_\_



Electrolux

TRK45 Cutter Slicer - Variable Speed, 4.7qt s/s bowl



Vegetable Slicer

TRK45 Cutter Slicer - Variable Speed, 4.7qt s/s bowl

603811 (TRK45VVNU) TRK45VV W/ 4.7QT BOWL+ CUTTING-VAR SP-US (300-3700 rpm)

### Short Form Specification

#### Item No.

TRK45VVNU-Vegetable Cutter/Mixer, angled front, continuous feed design, variable speed (300-3700 rpm), large single feed hopper, includes 4.7 qt stainless steel bowl, lid, bowl scraper, microtooth blade rotor, handle pusher, standard ejector, stainless steel feeding arm & hopper, aluminum motor housing, 1-1/3 HP, 120v/60/1, 6.0 amps, NEMA 5-15P, ETL listed (no discs included)

### Main Features

- 3 in 1 machine: cutter, emulsifier and vegetable slicer to slice, grate, liquidise, mix and mince in a matter of seconds.
- Incl system to incline motor base at 20° to better fit the vegetable slicer attachment.
- Delivered with:
  - Stainless steel lever operated feed hopper.
  - 1 gallon (4,5 lt) stainless steel cutter bowl, transparent lid, scraper and microtoothed blade rotor.
- Vegetable slicer unit has slicing, grating, shredding as well as dicing and french fries capabilities.
- Long vegetables round hopper integrated in the feed arm, 3/4 moon roundish hopper to limit pre cutting operations.
- Emulsifier function (scraper) included as standard.
- Base fixed cover for a better handling.
- Red OFF, green ON buttons.
- Pulse function to coarse chopping.
- All parts in contact with food are removable without the use of tools, completely dismountable and dishwasher safe.
- Automatic restart of the machine with the 3/4 moon shaped pusher in position.
- Magnetic safety system and motor brake. Prevents machine from running when vegetable preparation lever and/or hopper are lifted or when cutter lid is not properly closed.
- Automatic speed limitation according to the selected function (slicer or cutter).
- Complete and wide selection of blades and grids available diameter 8" (205 mm).
- TRK45 - 1 kW.

### Construction

- Stainless steel bowl has a high chimney to ensure high productivity also when processing liquids (75% of the nominal capacity).
- Vegetable cutting at 4 speeds up to 800 rpm. Food processing at 10 variable speeds: 300-3700 rpm.
- Power: TRK45 - 1.3 HP.
- Compact and portable design.

### Included Accessories

- 1 of Blade Rotor, microtooth, for 4.7 quart cutter/mixer PNC 653580
- 1 of Lid & Bowl Scraper, 4.7 quart, for cutter/mixer PNC 653588
- 1 of Bowl, 4.7 quart, for cutter/mixer, stainless steel PNC 653589



APPROVAL:

Electrolux Professional, Inc.

[www.electroluxusa.com/professional](http://www.electroluxusa.com/professional)

10200 David Taylor Drive, Charlotte, NC 28262 • Telephone Number: 866-449-4200 • Fax Number: 704-547-7401



# Electrolux

## Vegetable Slicer TRK45 Cutter Slicer - Variable Speed, 4.7qt s/s bowl

- 1 of TRS & TRK Ejector Plate (fits with following PNC: 603800, 603801, 603802, 603803, 603811, 603812, 603813) PNC 653772

### Optional Accessories

- Microtooth Blade Rotor for 4.7 qt. Cutter/Mixer, for emulsions PNC 650039 □
- Slicing Blade with Pusher, S Blade, stainless steel, 3/16" (5mm) (combine with dicing grid) (replaces 653734) PNC 650048 □
- Slicing Blade with Pusher, S Blade, stainless steel, 1/4" (6mm) (combine with dicing grid) (replaces 653736) PNC 650049 □
- Slicing Blade with Pusher, S Blade, stainless steel, 5/16" (8mm) (combine with dicing grid) (replaces 653738) PNC 650050 □
- Slicing Blade with Pusher, S Blade, stainless steel, 3/8" (10mm) (combine with dicing grid) (replaces 653739) PNC 650051 □
- Slicing Disc with Pusher, Mozzarella, S Blade, stainless steel, 3/8" (10mm) (combine with dicing grid) (replaces 653740) PNC 650052 □
- Pressing/Slicing Disc with S Blades, stainless steel, 12mm (combine with dicing grid) PNC 650053 □
- Slicing Blade with Pusher, S Blade, stainless steel, 33/64" (13mm) (combine with dicing grid) (replaces 653742) PNC 650054 □
- Slicing Blade with Pusher, Corrugated, S Blade, stainless steel, 5/16" (8mm) (combine with dicing grid) (replaces 653752) PNC 650055 □
- Slicing Blade with Pusher, Corrugated, S Blade, stainless steel, 25/64" (10mm) (combine with dicing grid) (replaces 653753) PNC 650056 □
- Stainless steel work table assembly. PNC 653283 □
- Dicing Grid, 1/5" PNC 653566 □
- Dicing Grid, 5/16" PNC 653567 □
- Dicing Grid, 3/8" PNC 653568 □
- Dicing Grid, 1/2" PNC 653569 □
- Dicing Grid, 3/4" PNC 653570 □
- French Fry/Vegetable Stick Blade, 1/4" PNC 653571 □
- French Fry/Vegetable Stick Blade, 5/16" PNC 653572 □
- French Fry/Vegetable Stick Blade, 3/8" PNC 653573 □
- Blade Rotor, smooth, for 4.7 quart cutter/mixer PNC 653579 □
- Blade Rotor, microtooth, for 4.7 quart cutter/mixer PNC 653580 □
- Lid & Bowl Scraper, 4.7 quart, for cutter/mixer PNC 653588 □
- Bowl, 4.7 quart, for cutter/mixer, stainless steel PNC 653589 □
- Kit for Vegetable Slicer conversion for variable speed cutter/mixer PNC 653594 □
- Smooth Blade Rotor for 4.5 qt. cutter/mixer for emulsions PNC 653614 □
- Slicing Blade, S Blade, stainless steel, 01/32" (0.6mm) (NOTE: This disc will not operate with model FT or MT Electrolux grids for creating french fry cuts or dicing, please order C-disc model ending in PS instead) PNC 653728 □
- Slicing Blade, S Blade, stainless steel, 1/32" (1mm) (replaces old discs 653101 and 653111) (NOTE: This disc will not operate with model FT or MT Electrolux grids for creating french fry cuts or dicing, please order C-disc model ending in PS instead) PNC 653729 □
- Slicing Blade, S Blade, stainless steel, 1/16" (2mm) (replaces old discs 653102 and 653112) (NOTE: This disc will not operate with model FT or MT Electrolux grids for creating french fry cuts or dicing, please order C-disc model ending in PS instead) PNC 653730 □
- Slicing Blade, S Blade, stainless steel, 1/8" (3mm) (replaces old discs 653103 and 653113) (NOTE: This disc will not operate with model FT or MT Electrolux grids for creating french fry cuts or dicing, please order C-disc model ending in PS instead) PNC 653731 □
- Slicing Blade, S Blade, stainless steel, 5/32" (4mm) (NOTE: This disc will not operate with model FT or MT Electrolux grids for creating french fry cuts or dicing, please order C-disc model ending in PS instead) PNC 653732 □
- Slicing Blade, S Blade, stainless steel, 3/16" (5mm) (replaces old disc 653115) (NOTE: This disc will not operate with model FT or MT Electrolux grids for creating french fry cuts or dicing, please order C-disc model ending in PS instead) PNC 653733 □
- Slicing Blade, S Blade, stainless steel, 1/4" (6mm) (replaces old disc 653106) (NOTE: This disc will not operate with model FT or MT Electrolux grids for creating french fry cuts or dicing, please order C-disc model ending in PS instead) PNC 653735 □
- Slicing Blade, S Blade, stainless steel, 5/16" (8mm) (replaces old disc 653108) (NOTE: This disc will not operate with model FT or MT Electrolux grids for creating french fry cuts or dicing, please order C-disc model ending in PS instead) PNC 653737 □
- Julienne Blade, stainless steel, 1/16" (2x2mm) (replaces old disc 653214) PNC 653743 □
- Julienne Blade, 1/8" (3x3mm) (replaces old disc 653153) PNC 653744 □
- Julienne Blade, 5/32" (4x4mm) (replaces old disc 653154) PNC 653745 □
- Julienne Blade, 15/64" (6x6mm) PNC 653746 □
- Julienne Blade, 5/16" (8x8mm) PNC 653747 □
- Julienne Blade, 25/64", (10x10mm) PNC 653748 □
- Slicing Blade, S Blade, stainless steel, 1/16" (2mm), wavy cut (replaces old disc 653122) PNC 653749 □
- Slicing Blade, S Blade, stainless steel, 1/8" (3mm), wavy cut (replaces old disc 653123) PNC 653750 □
- Slicing Blade, S Blade, stainless steel, 1/4" (6mm), wavy cut (replaces old disc 653126) PNC 653751 □
- TRS & TRK Ejector Plate (fits with following PNC: 603800, 603801, 603802, 603803, 603811, 603812, 603813) PNC 653772 □
- Grating Blade, stainless steel, fine, 1/16" (2mm) (replaces old disc 653713) PNC 653773 □
- Grating Blade, stainless steel, fine, 1/8" (3mm) (replaces old disc 653714) PNC 653774 □
- Grating Blade, stainless steel, 5/32" (4mm) (replaces old disc 653715) PNC 653775 □



**Electrolux**

**Vegetable Slicer  
TRK45 Cutter Slicer - Variable  
Speed, 4.7qt s/s bowl**

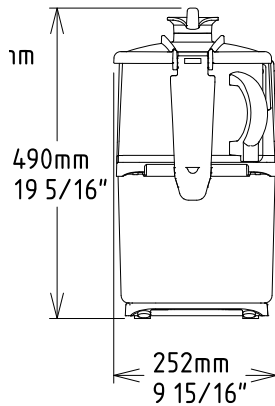
- Grating Blade, stainless steel, 9/32" (7mm) PNC 653776   
(replaces old disc 653716)
- Grating Blade, stainless steel, 23/64 " (9mm) (replaces old disc 653717) PNC 653777
- Grating Blade, designed for nuts, chocolate & bread crumbs, stainless steel (replaces old disc 653718) PNC 653778
- Grating Blade, especially fine grating for Parmesan cheese, stainless steel (replaces old disc 653719) PNC 653779
- SCEQX - Bistro 3-Disc Set (C2S, C5S, J2X) PNC 653785
- SCREQX - Gastronomic 6-Disc Set (C2S, C5S, J2X, AS4X, C10PS, MT10T) PNC 653786



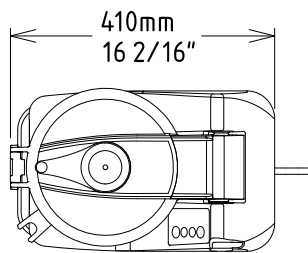
**Electrolux**

**Vegetable Slicer  
TRK45 Cutter Slicer - Variable  
Speed, 4.7qt s/s bowl**

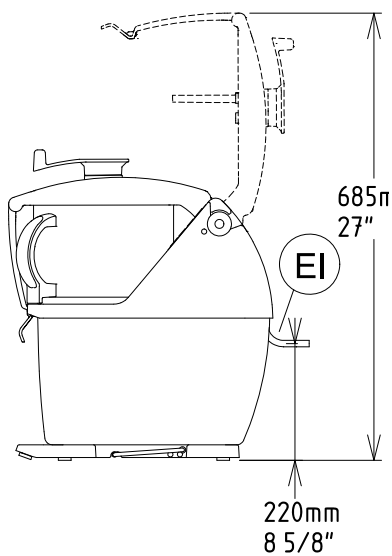
Front



Top



Side



EI = Electrical connection  
EQ = Equipotential screw

**Electric**

Supply voltage:  
603811 (TRK45VVNU) 100...120 V/1N ph/50/60 Hz  
Electrical power: 1 kW  
Total Watts: 1 kW

**Key Information:**

External dimensions, Width: 9 15/16" (252 mm)  
External dimensions, Depth: 19 1/16" (485 mm)  
External dimensions, Height: 19 7/8" (505 mm)  
Shipping width: 12 13/16" (325 mm)  
Shipping depth: 32 1/16" (815 mm)  
Shipping height: 23 5/8" (600 mm)  
Shipping weight: 72 lbs (32.5 kg)

**Vegetable Slicer  
TRK45 Cutter Slicer - Variable Speed, 4.7qt s/s bowl**

The company reserves the right to make modifications to the products without prior notice. All information correct at time of printing.

2015.04.28