



Electrolux

## Digital Undercounter 3 Door Refrigerated Table with Splashback, -2+10°C

ITEM # \_\_\_\_\_

MODEL # \_\_\_\_\_

NAME # \_\_\_\_\_

SIS # \_\_\_\_\_

AIA # \_\_\_\_\_



Electrolux



### Digital Undercounter

### 3 Door Refrigerated Table with Splashback, -2+10°C

790164 (HB3PUA63)

3-door refrigerated table with  
splashback, -2+10°C -  
220V/1N/60Hz

### Short Form Specification

Item No. \_\_\_\_\_

The Electrolux range of refrigerated tables combines the convenience of worktop space with cold storage located below. This versatility allows remarkable savings in space while offering a functional and modular solution to any kitchen requirement. The range comprises of counters with a number of compartments, with built-in compressor unit, in various door or drawer configurations. The model detailed in this sheet has three compartments, three full doors, is equipped with splashback and operates over the temperature range of -2 °C to 10 °C.

### Main Features

- IP65 digital control panel allows for temperature and parameter setting as well as to activate defrosting when necessary.
- Unique airflow design to allow installation against the wall or against other appliances, even on the cooling unit side to maximize the use of kitchen space.
- Refrigerated compartment designed to accommodate GN 1/1 containers.
- Adjustable temperature range from -2 °C to +10 °C to suit meat, fish and dairy storage requirements.
- Suitable for use in ambient temperatures of up to 43 °C.
- Forced air circulation for rapid cooling and an even temperature distribution.
- Completely automatic defrosting and automatic evaporation of defrost water by hot gas.

### Construction

- Constructed from the highest quality AISI 304 Stainless steel.
- Fully extractable cooling unit to facilitate maintenance.
- Recessed area in the back to facilitate installation.
- Electronic protection against high voltage peaks.
- Drawers capable of keeping loads up to 53 kg.
- Built-in compressor to suit operating conditions.
- High density polyurethane insulation, 60 mm thickness, HCFC free.
- Mounted on 150 mm adjustable feet.
- Rounded internal corners for ease of cleaning.
- Anti-drip profile on stainless steel worktop edge.
- Developed and produced in ISO 9001 and ISO 14001 certified factory.
- Access to all components from the front.
- CFC and HCFC free.
- Removable magnetic gasket door with hygienic design.

APPROVAL: \_\_\_\_\_



Electrolux

## Digital Undercounter 3 Door Refrigerated Table with Splashback, -2+10°C

### Included Accessories

- 3 of 1x1/1GN PVC grid for counters PNC 880299

### Optional Accessories

- Lock kit for counters PNC 880227
- Kit integrated HACCP for digital refrigerators (IR33) PNC 880252
- 1x1/1GN PVC grid for counters PNC 880299
- Kit of 5 wheels (front with brake) for cabinets and counters PNC 880301
- Kit of 2x½ drawers for counters PNC 880305
- Kit of 3x drawers for counters PNC 880309
- Printer for HACCP basic version (for cabinets and counters with digital control) PNC 881457



Digital Undercounter  
3 Door Refrigerated Table with Splashback, -2+10°C

The company reserves the right to make modifications to the products without prior notice. All information correct at time of printing.

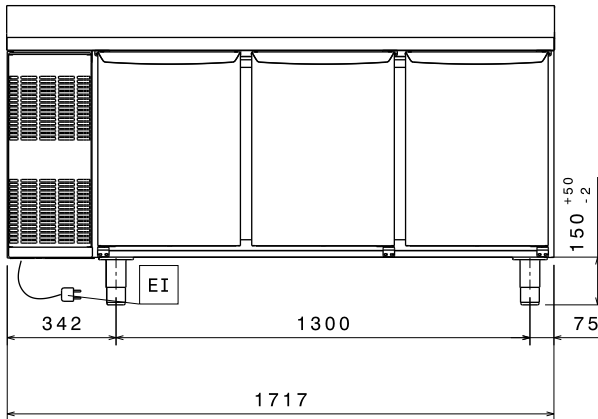
2013.03.21



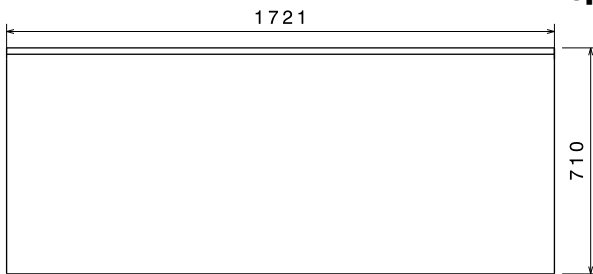
Electrolux

## Digital Undercounter 3 Door Refrigerated Table with Splashback, -2+10°C

Front

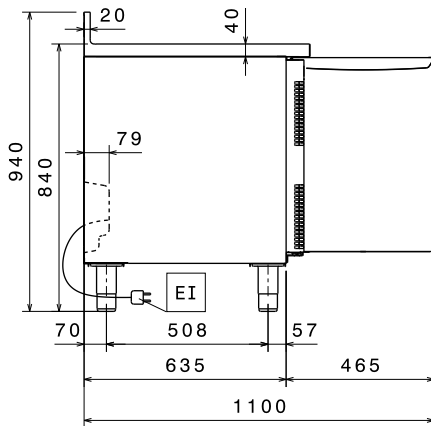


Top



D = Drain  
EI = Electrical connection

Side



### Electric

Supply voltage:  
790164(HB3PUA63) 220 V/1N ph/60 Hz  
Connected load: 0.35 kW

### Key Information:

Door hinges: 1 Left+2 Right  
External dimensions, Height: 940 mm  
External dimensions, Width: 1721 mm  
External dimensions, Depth: 710 mm  
External dimensions, Depth with Doors Open: 1098 mm  
Number and type of doors: 3  
Gross capacity: 420 lt  
Depth with doors open: 1098 mm  
Number and type of grids (included): 3 - GN 1/1

### Refrigeration Data

Compressor power: 1/3 hp  
Refrigerant type: R404a  
Refrigeration power: 1139 W  
Refrigerant weight: 240 g  
Operating temperature min.: -2 °C  
Operating temperature max.: 10 °C  
Type of external material: 304 AISI  
Type of internal material: 304 AISI



Digital Undercounter  
3 Door Refrigerated Table with Splashback, -2+10°C

The company reserves the right to make modifications to the products without prior notice. All information correct at time of printing.