



Spin Dryers Vegetable Dryer, EL40 - Automatic, 8.5 gallon

ITEM # _____
MODEL # _____
NAME # _____
SIS # _____
AIA # _____



600576 (DEL40U)

Vegetable Dryer, automatic,
11 lbs (5 kg) with 8.5 gal (32
lt) basket

Short Form Specification

Item No. _____

Body in stainless steel and basket in high quality resin. Fully opening plastic lid, equipped with a micro switch to stop the machine if lid is opened. Two cycles: "automatic" which alternates rotation with several sudden stops (for all vegetables); "manual" thanks to the adjustable timer up to 59 minutes (for delicate vegetables). Flat and waterproof touch button control panel. Rotation speed: 540 rpm. Residual water is eliminated through an outlet pipe. IP55 and IP34 protection. Supplied with 8.5 gal (32 lt) basket. Load capacity: 11 lbs (5 kg)

NEMA plug: 15-20

WARRANTY: 1 year parts & 1 year labor.

Main Features

- Spin drying cycle with short drying time (1 to 2 minutes).
- "Automatic" cycle alternates rotation to several sudden stops, suitable for all vegetables.
- "Manual" cycle uses adjustable timer up to 59 minutes, to be used for delicate vegetables.
- Outlet pipe eliminates residual water.
- Timer with digital display and countdown.
- Heavy vegetables load per cycle: 11 lbs (5 Kg)
- Light vegetables load per cycle: 9 units of lettuce heads.
- Safety device stops the machine when the cover is opened.
- Electrical braking system to stop basket rotation in a matter of seconds at the end of the cycle or when lid is opened.
- Basket rotates at approximately 540 rpm.
- [NOT TRANSLATED]
- [NOT TRANSLATED]
- [NOT TRANSLATED]
- [NOT TRANSLATED]

Construction

- Stainless steel body.
- Resin basket, 8.5 gal (32 lt) in capacity.

Included Accessories

- 1 of Basket for 11 lbs (5 kg) vegetable dryer PNC 653131

Optional Accessories

- Basket for 11 lbs (5 kg) vegetable dryer PNC 653131

APPROVAL: _____

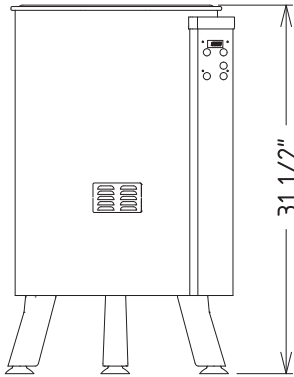
Spin Dryers
Vegetable Dryer, EL40 - Automatic, 8.5 gallon



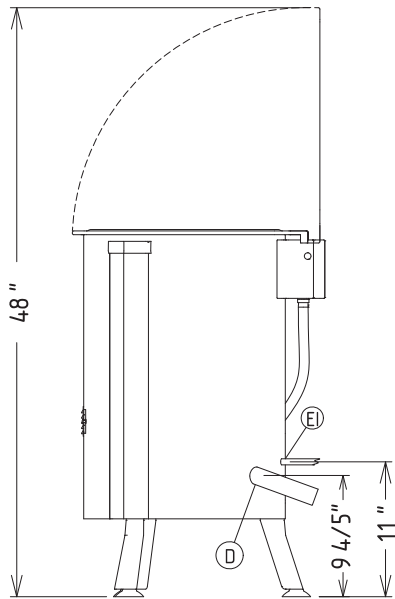


Spin Dryers Vegetable Dryer, EL40 - Automatic, 8.5 gallon

Front

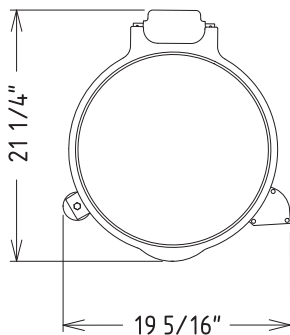


Side



D = Drain
EI = Electrical connection

Top



Electric

Supply voltage:

600576 (DEL40U) 120 V/1N ph/60 Hz

Electrical power, max: 0.4 kW

Total Watts: 0.4 kW

Plug type: USA NEMA L15-20P

Key Information:

Well Capacity: 40 lt

Usable well capacity: 40 lt

Load per cycle - light vegetables: 6/7 UNITS

Load per cycle - heavy vegetables: 11 lbs VEGETABLES

External dimensions, Width: 18 1/8" (460 mm)

External dimensions, Depth: 21 1/4" (540 mm)

External dimensions, Height: 31 1/2" (800 mm)

Shipping width: 31 7/8" (810 mm)