

Digital Undercounter ecostore HP Refrigerated Counter - 2 Door (R134a) with top and upstand

ITEM # _____

MODEL # _____

NAME # _____

SIS # _____

AIA # _____



710429 (EJ2R3AA)

 2-door Refrigerated
 Counter, -2+10°C (R134A),
 with upstand

Short Form Specification

Item No.

Internal and external doors, front and side panels in 304 AISI stainless steel. N.2 doors. With top and upstand. Built-in refrigeration unit. Ventilated. Refrigerant R134a. High-density expanded polyurethane foam, 90 mm in thickness, with cyclopentane injection. Digital control panel. Completely automatic defrosting and automatic evaporation of defrost water obtained by hot gas. Temperature range: -2+10°C. CFC and HCFC free. Feet in 304 AISI stainless steel, adjustable in height.

Main Features

- Kit 1/3 drawers available as accessory.
- Tropicalized unit (43°C ambient temperature).
- Digital control panel allowing the easy and precise setting and control of the internal temperature.
- Operating temperature can be adjusted from -2 to +10 °C to suit different food storage requirements.
- This appliance is intended for use in ambient temperatures up to 40°C.
- Complies with main international certification bodies and is CE marked.
- Kit 1/2 drawers available as accessory.
- The door self-closes when opened less than at a 90° angle and is equipped with a door seal to guarantee perfect closure.
- Completely automatic defrosting and automatic evaporation of defrost water by hot gas.
- Forced air cooling system guaranteeing great uniformity of the temperature in the counter and excellent conservation of the food quality.
- High standards of hygiene and ease of cleaning are guaranteed by the rounded internal corners of the cabinet and easily removable runners and grids.

Construction

- External back panel in galvanized steel.
- Built-in compressor to suit operating conditions.
- CFC and HCFC free.
- Legs in 304 AISI stainless steel (150 mm high, adjustable in height), with plastic interior.
- Internal and external doors, front and side panels and 50mm thick removable worktop in 304 AISI stainless steel.

Included Accessories

- 2 of Kit 1/1 grey rilsan grid and 2 side runners for refrigerated counters PNC 881109

Optional Accessories

- 1/1GN grey rilsan grid for refrigerated counters PNC 881107
- 2 side runners for 1/1 GN ecostore refrigerated counters PNC 881108
- Kit 1/1 grey rilsan grid and 2 side runners for refrigerated counters PNC 881109
- 1/1 GN plastic container, H=65 mm PNC 881110
- 2x½ drawer kit for refrigerated counters - h650mm PNC 881176
- 3x1/3 drawer kit for refrigerated counters - h650mm (only for refrigerated counters) PNC 881177
- 1/3 and 2/3 bottle drawer kit for refrigerated counters - h650mm (only for refrigerated counters) PNC 881178
- Kit 4 wheels, H=100 mm (2 with brakes) for refrigerated counters PNC 881191

APPROVAL: _____



Electrolux
PROFESSIONAL

Digital Undercounter ecostore HP Refrigerated Counter - 2 Door (R134a) with top and upstand

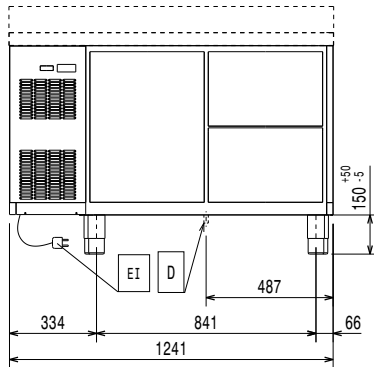
- Kit 4 wheels, H=150 mm (2 with brakes) for 2&3 compartment refrigerated counters PNC 881193
- Lock for refrigerated counters with two compartments - h650mm PNC 881245



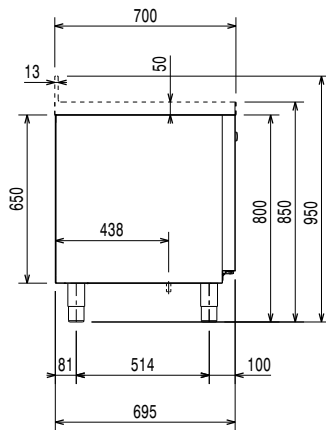
Digital Undercounter
ecostore HP Refrigerated Counter - 2 Door (R134a) with top and
upstand
The company reserves the right to make modifications to the products
without prior notice. All information correct at time of printing.

2020.05.05

Front

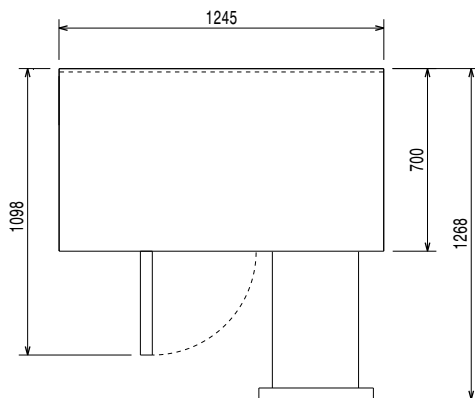


Side



EI = Electrical inlet (power)

Top



Electric

Supply voltage:

710429 (EJ2R3AA)

220-240 V/1 ph/50 Hz

Electrical power max.:

0.22 kW

Key Information:

Gross capacity:

Net Volume:

163.6 lt

N° of doors:

External dimensions, Width:

1245 mm

External dimensions, Height:

950 mm

External dimensions, Depth:

700 mm

Internal Dimensions (depth):

560 mm

Internal Dimensions (height):

510 mm

Internal Dimensions (width):

798 mm

Net weight:

96 kg

Shipping volume:

 1.1 m³

Depth with doors open:

1310 mm

Refrigeration Data

Control type:

Digital

Compressor power:

1/4 hp

Refrigerant type:

R134a

GWP Index:

1300

Refrigeration power:

358 W

Refrigerant weight:

90 g

Min/Max internal humidity:

40/85

Operating temperature min.:

-2 °C

Operating temperature max.:

10 °C

Operating mode:

Ventilated

Product Information (EU Regulation 2015/1094)

Energy Class:

B

 Yearly and daily energy
 consumption:

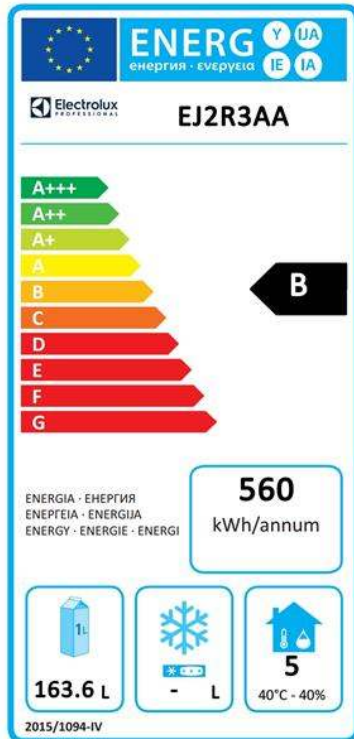
 560kWh/year -
 1.53kWh/24h

Climate class:

Heavy Duty (5)

Energy Efficiency Index (EEI):

25.36



EU energy labelling from 1st July 2016

The European energy labelling scheme for professional refrigerators and freezers is based on requirements setting Minimum Energy Performance standards for commercial refrigeration cabinets sold within the EU. These requirements are designed to drive energy efficiency and environmentally friendly approach for professionals. The European energy labelling scheme will apply to all manufacturers and importers who sell and market products within the EU and it is mandatory across Europe.

Important: all products which consume energy above the minimum level will not be able to be sold within the EU from 1 July 2016.